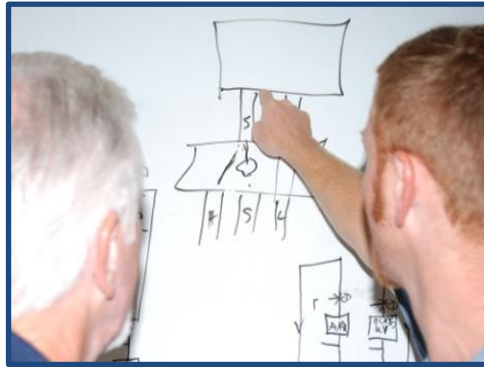


# Chiller Plant Optimization Fact Sheet



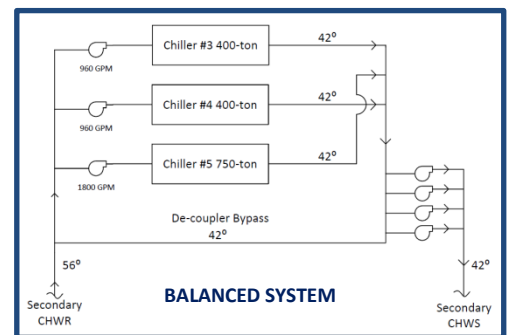
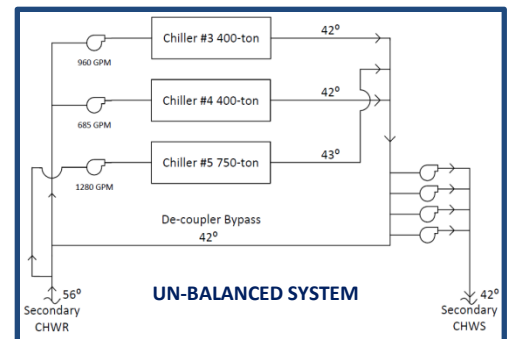
Mechanical Systems Services

An automated chiller plant is only as good as its original design parameters. Older chiller plants have mechanical opportunities to reduce energy costs by as much as 40%. Knowing that your overall chiller plant power consumption can represent as much as 60% of your facility energy costs. This is huge!



Many companies now want to provide you with continuous commissioning with their software products that do not address some of the real mechanical issues. ThermaServe, Inc. has experience in chiller plant optimization including analyzing the chiller plant for:

- **Delta T set points and system stability**
  - Which can make your chillers and cooling towers use more energy
- **Chiller Operation**
  - Review design parameters for overall plant requirements
- **Chilled water blending issues**
  - Which make your chillers use more energy
- **Valve operation and control in your piping system**
  - Including proper location and purpose
- **Pump operation**
  - for balanced system water flows



ThermaServe Mechanical Systems Services

[www.thermaserve.com](http://www.thermaserve.com)

T (904) 260-8002 \* F (904) 260-8004 \* [sales@thermaserve.com](mailto:sales@thermaserve.com)

FL#CMC057091 \* GA#CN209367

